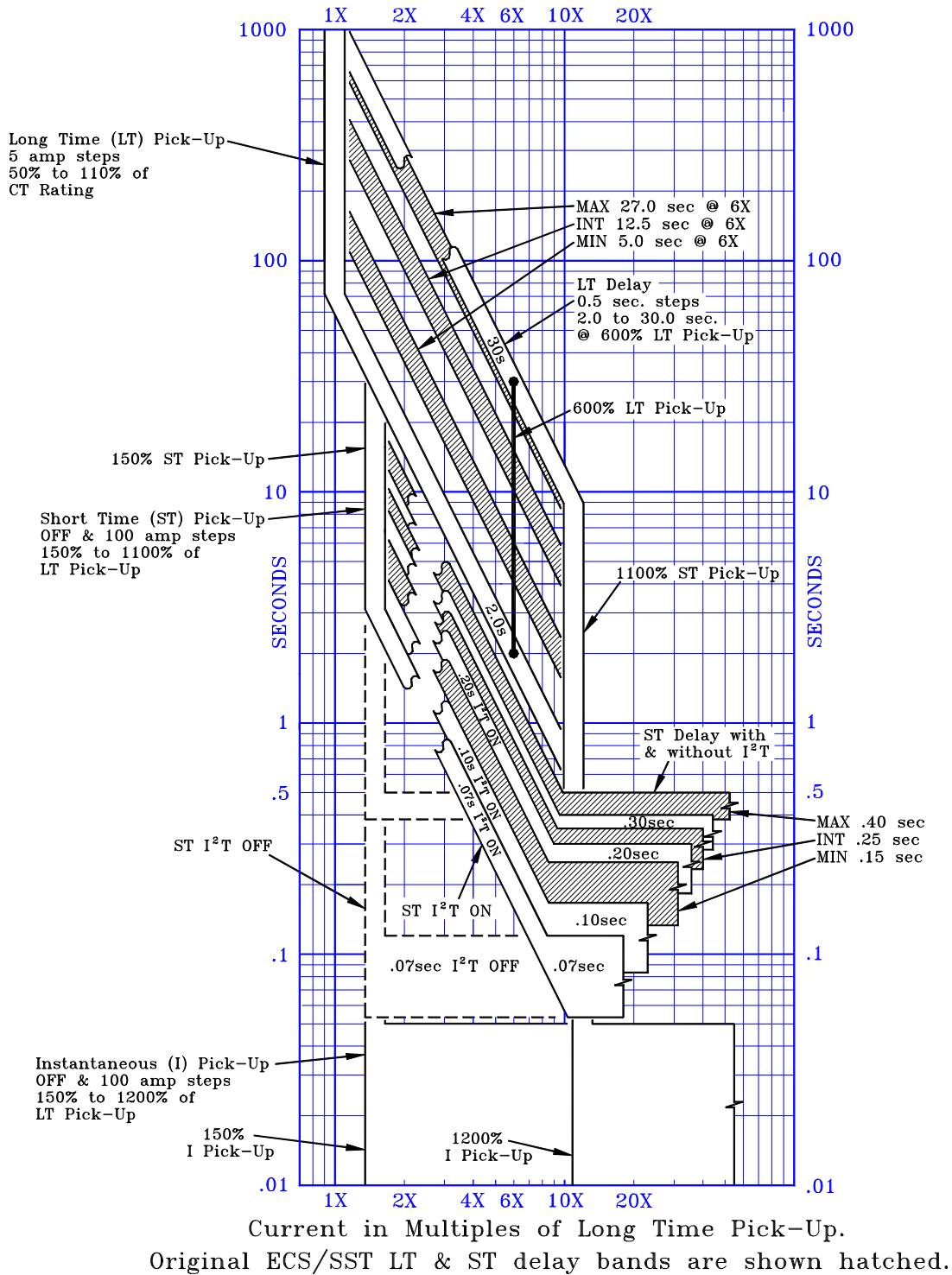


AC-PRO ECS/SST Direct Replacement Overload Time Current Curve



Utility Relay Company
Chagrin Falls, Ohio 44023

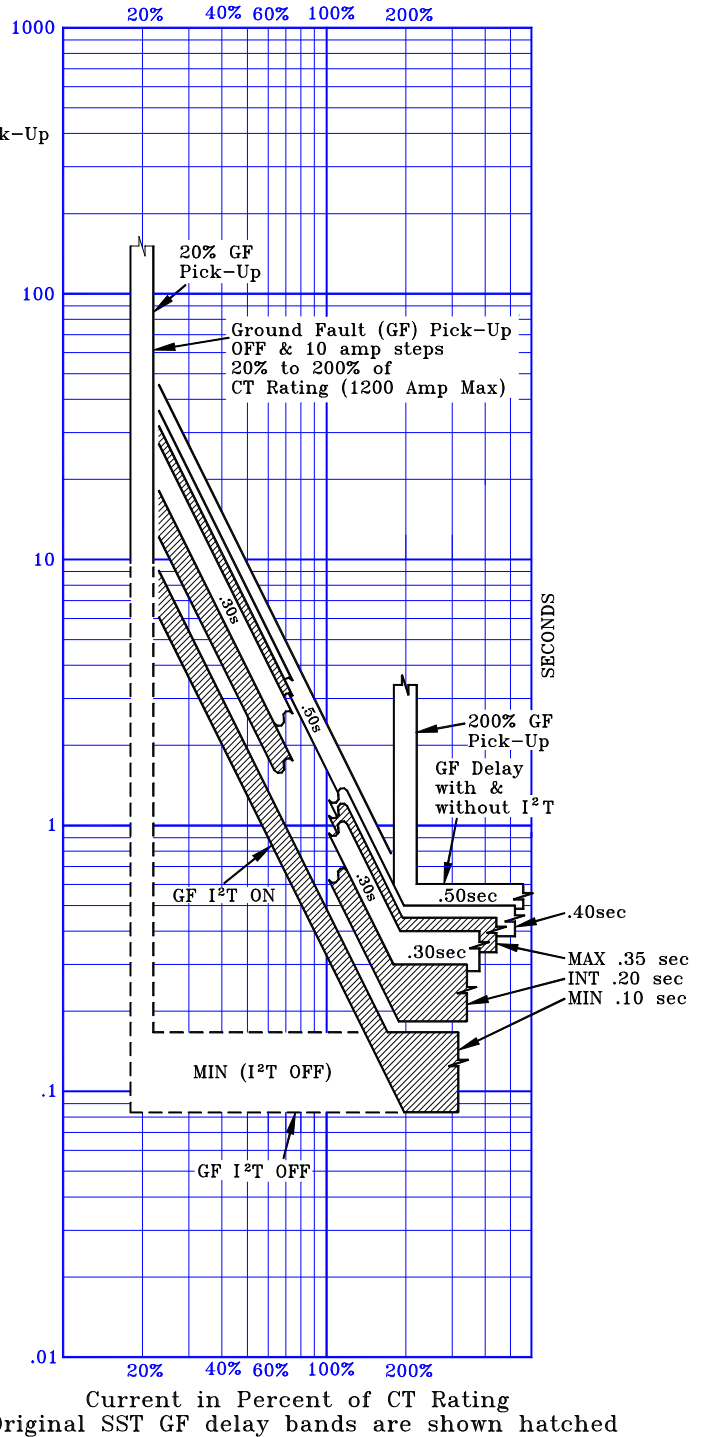
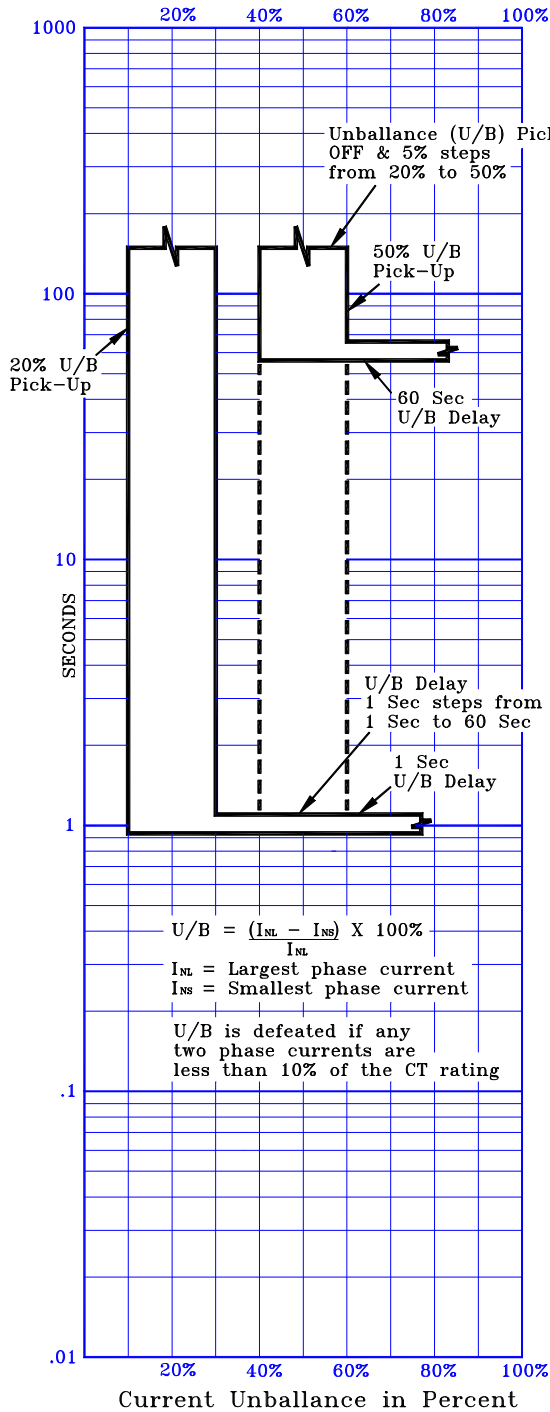
Rev. 0302

888-289-2864 www.utilityrelay.com

AC-PRO ECS/SST Direct Replacement

Unbalance Time Current Curve

Ground Fault Time Current Curve



Utility Relay Company
Chagrin Falls, Ohio 44023

Rev. 0302

888-289-2864 www.utilityrelay.com

Original SST GF delay bands are shown hatched